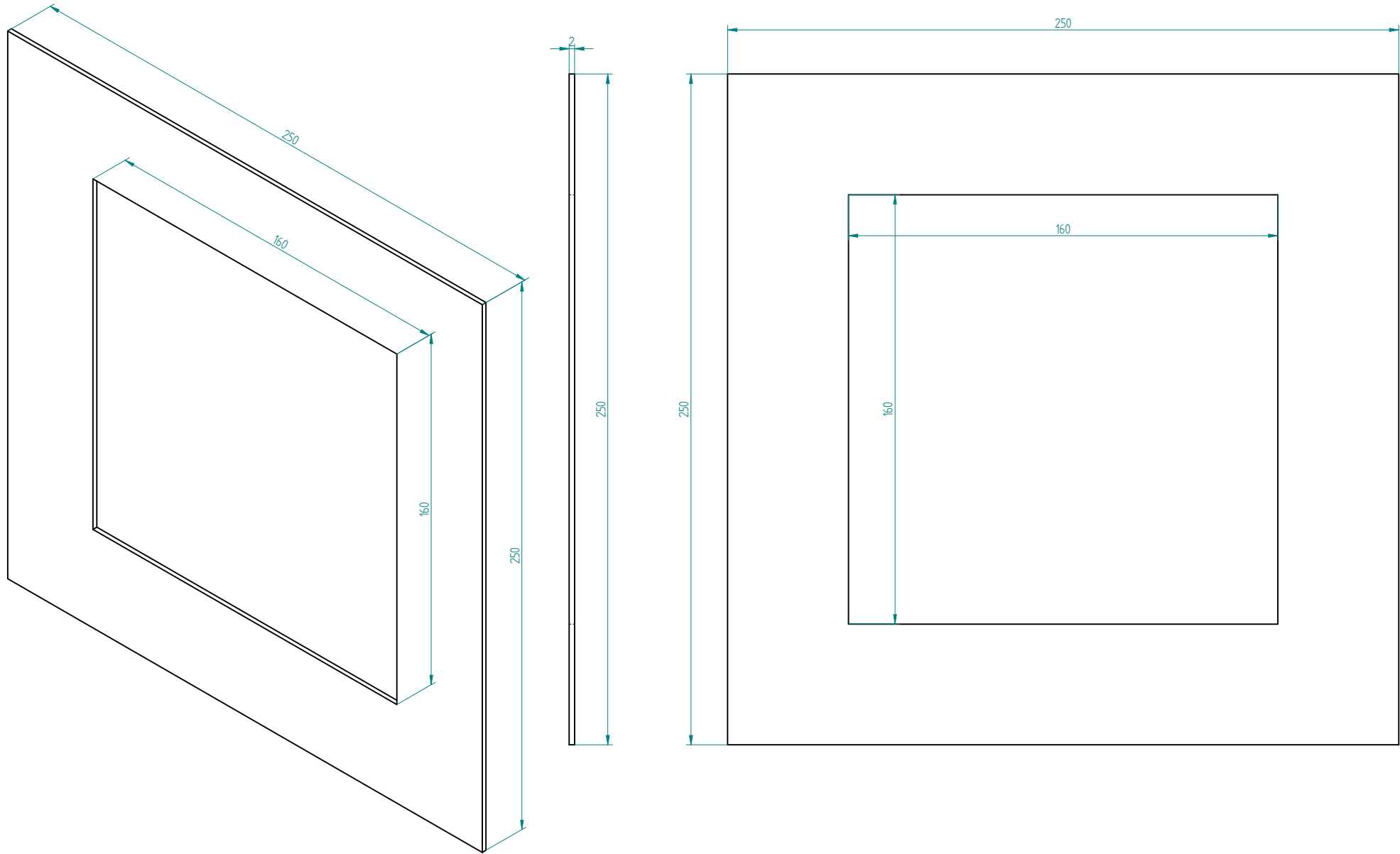


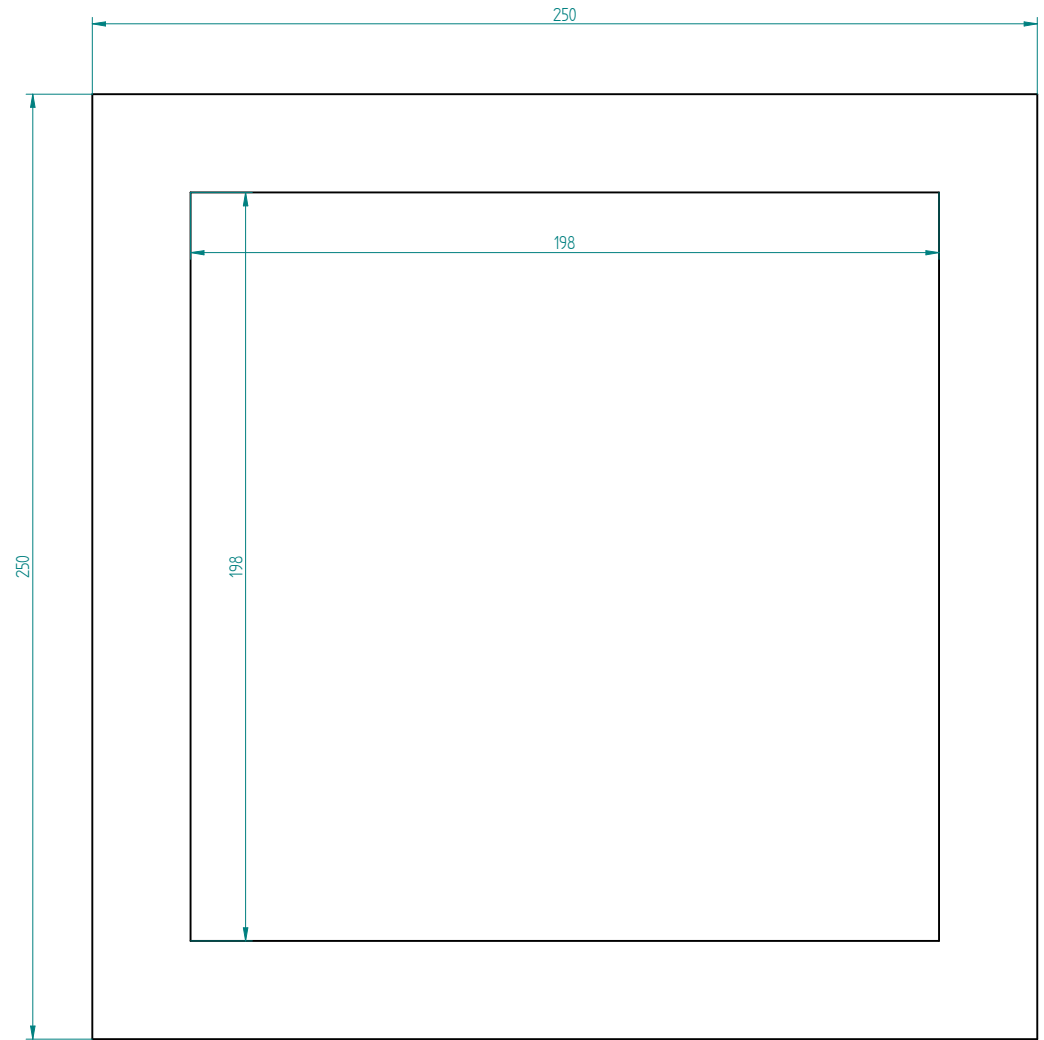
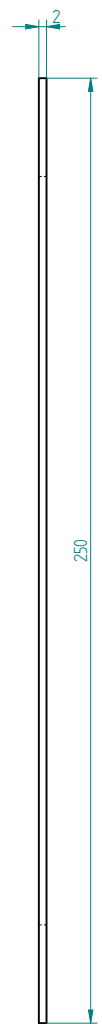
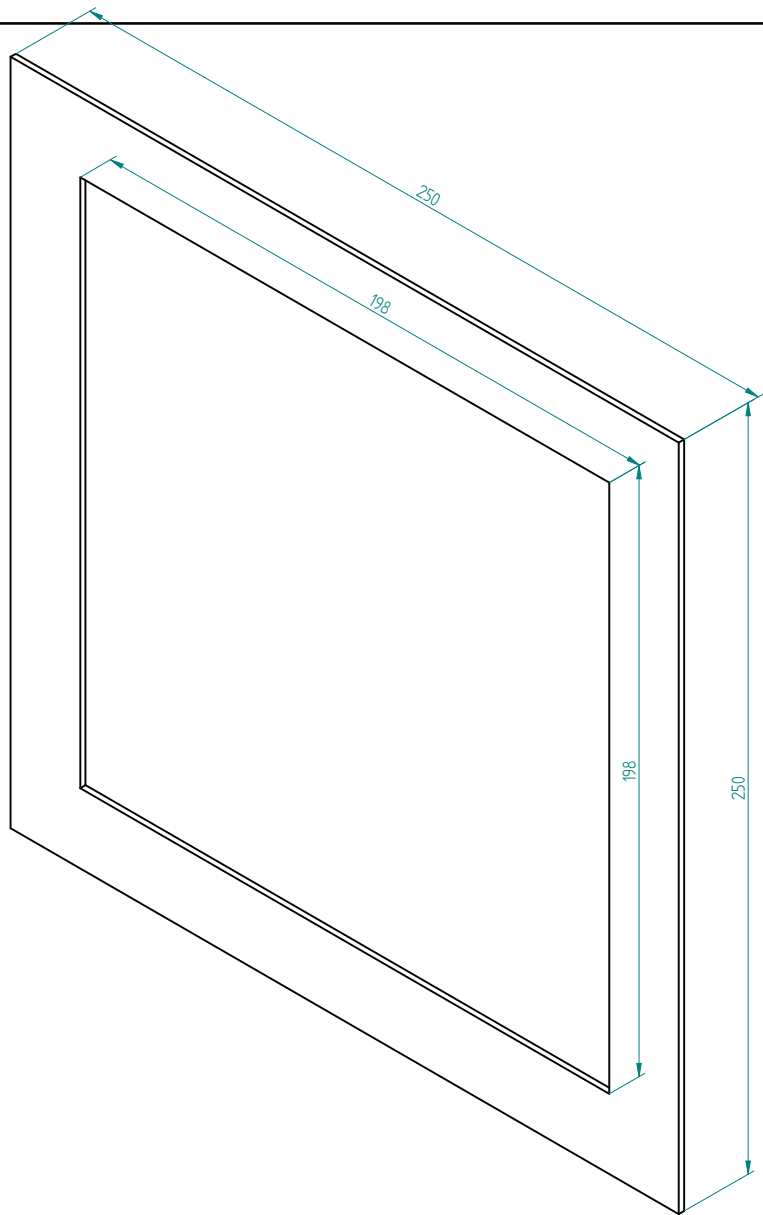
REVISION HISTORY			
REV	DESCRIPTION	DATE	APPROVED



SOLID EDGE ACADEMIC COPY

	NAME	DATE	Solid Edge	
DRAWN	v1907boco	05/22/17	TITLE	
CHECKED				
ENG APPR				
MGR APPR				
UNLESS OTHERWISE SPECIFIED DIMENSIONS ARE IN MILLIMETERS ANGLES ±XX° 2 PL *XXX 3 PL *XXXX			SIZE A2	DWG NO
			FILE NAME: draft bok.s.dft	REV
			SCALE	WEIGHT: SHEET 1 OF 4

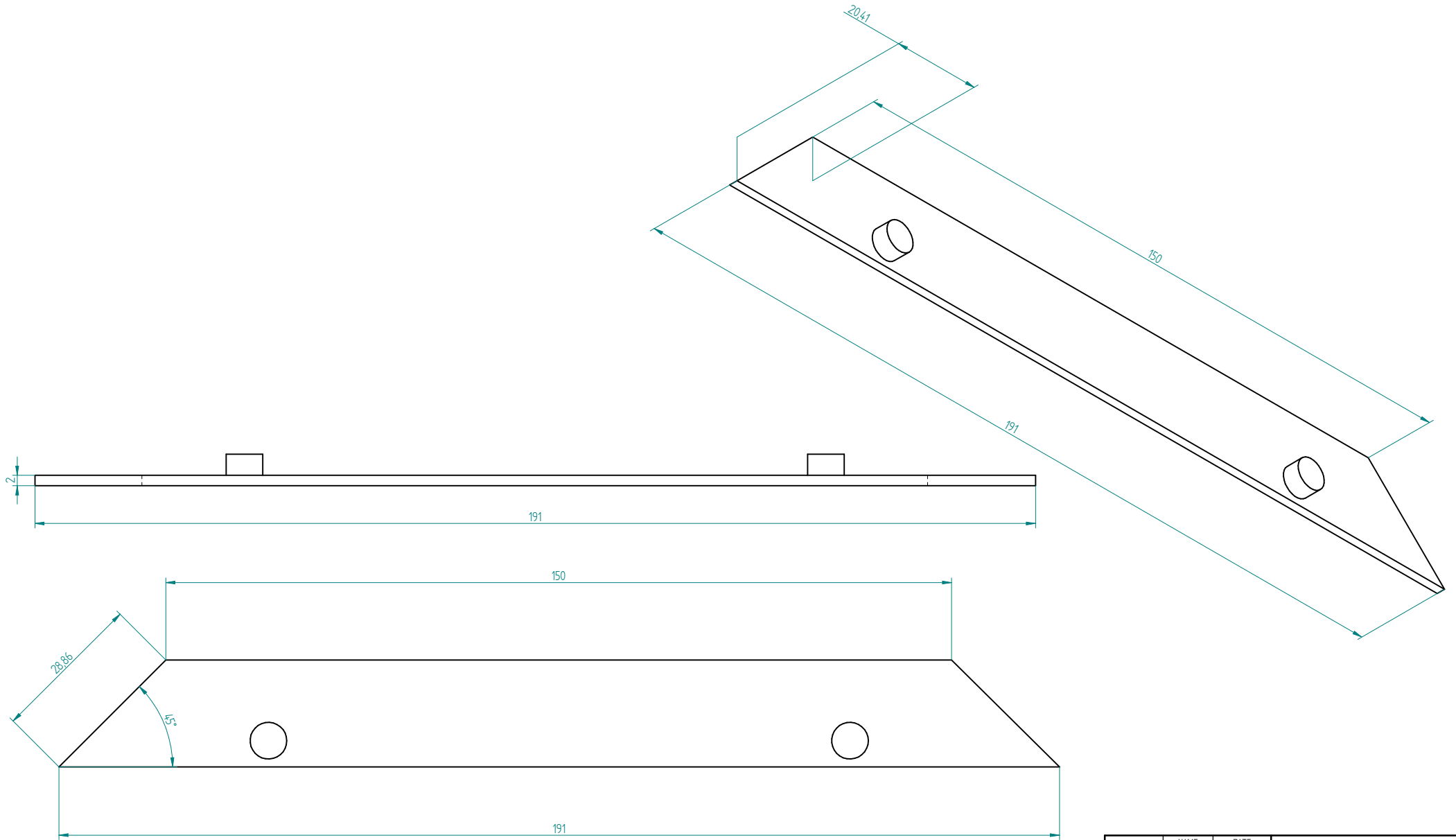
REVISION HISTORY			
REV	DESCRIPTION	DATE	APPROVED



SOLID EDGE ACADEMIC COPY

	NAME	DATE	Solid Edge		
DRAWN	v1907boco	05/22/17			
CHECKED					
ENG APPR					
MGR APPR			TITLE		
UNLESS OTHERWISE SPECIFIED DIMENSIONS ARE IN MILLIMETERS ANGLES ±XX° 2 PL *XXX 3 PL *XXXX			SIZE A2	DWG NO	REV
			FILE NAME: draft bok.s.dft		
			SCALE	WEIGHT	SHEET 2 OF 4

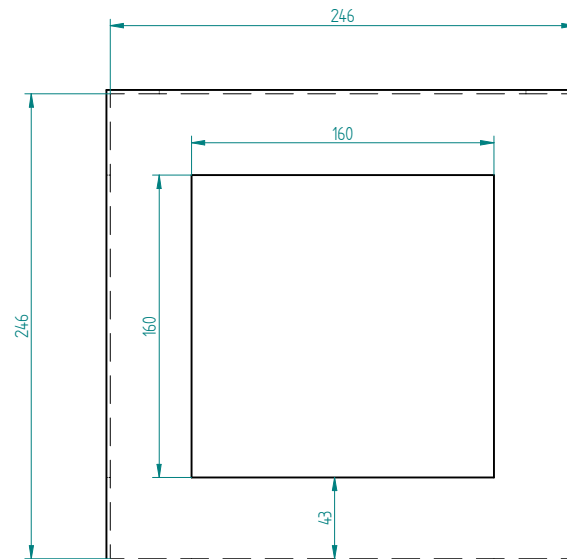
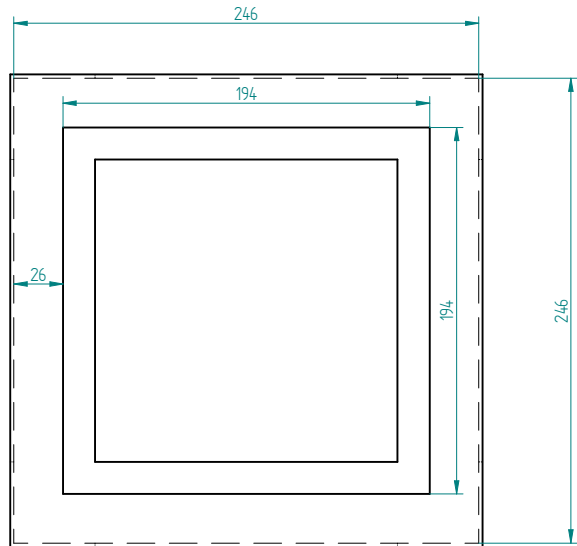
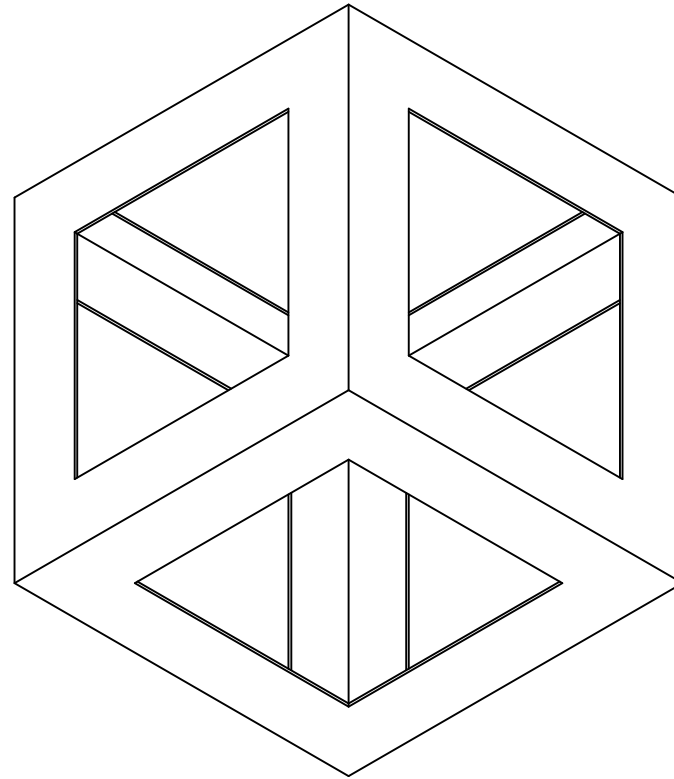
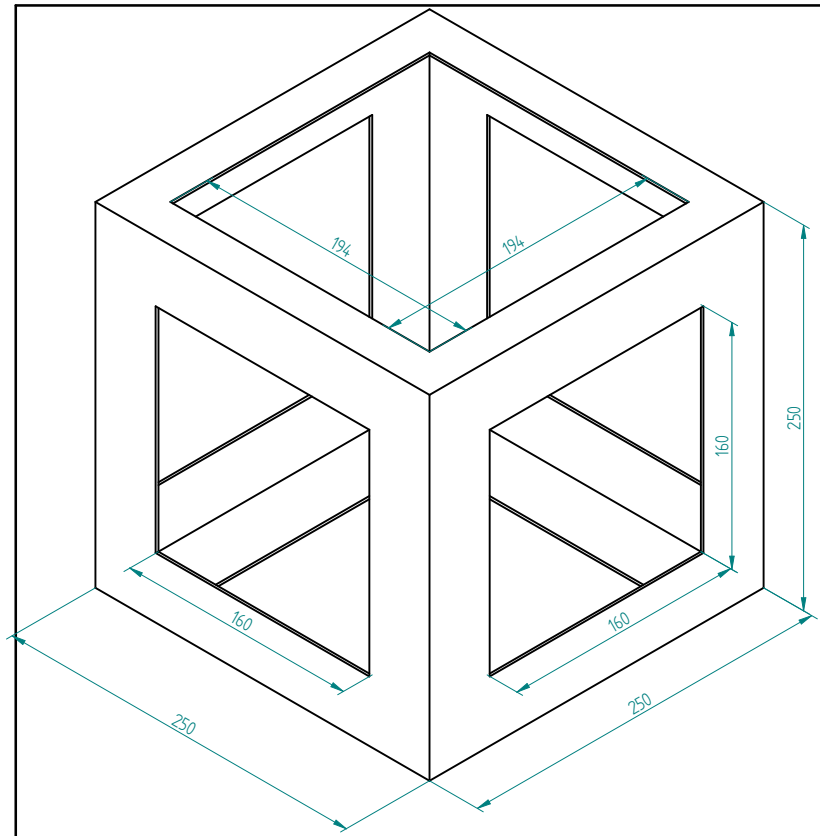
REVISION HISTORY			
REV	DESCRIPTION	DATE	APPROVED



SOLID EDGE ACADEMIC COPY

	NAME	DATE	Solid Edge	
DRAWN	v1907boco	05/22/17	TITLE	
CHECKED				
ENG APPR				
MGR APPR				
UNLESS OTHERWISE SPECIFIED DIMENSIONS ARE IN MILLIMETERS ANGLES ±XX° 2 PL *XXX 3 PL *XXXX			SIZE A2	DWG NO
			FILE NAME: draft bok.s.dft	REV
			SCALE	WEIGHT: SHEET 3 OF 4

REVISION HISTORY			
REV	DESCRIPTION	DATE	APPROVED



SOLID EDGE ACADEMIC COPY

DRAWN	v1907boco	DATE	05/22/17	Solid Edge	
CHECKED					
ENG APPR					
MGR APPR					
UNLESS OTHERWISE SPECIFIED DIMENSIONS ARE IN MILLIMETERS ANGLES ±XX° 2 PL *XXX 3 PL *XXXX				SIZE A2	DWG NO
				FILE NAME: draft bok.s.dft	REV
				SCALE	WEIGHT: SHEET 4 OF 4